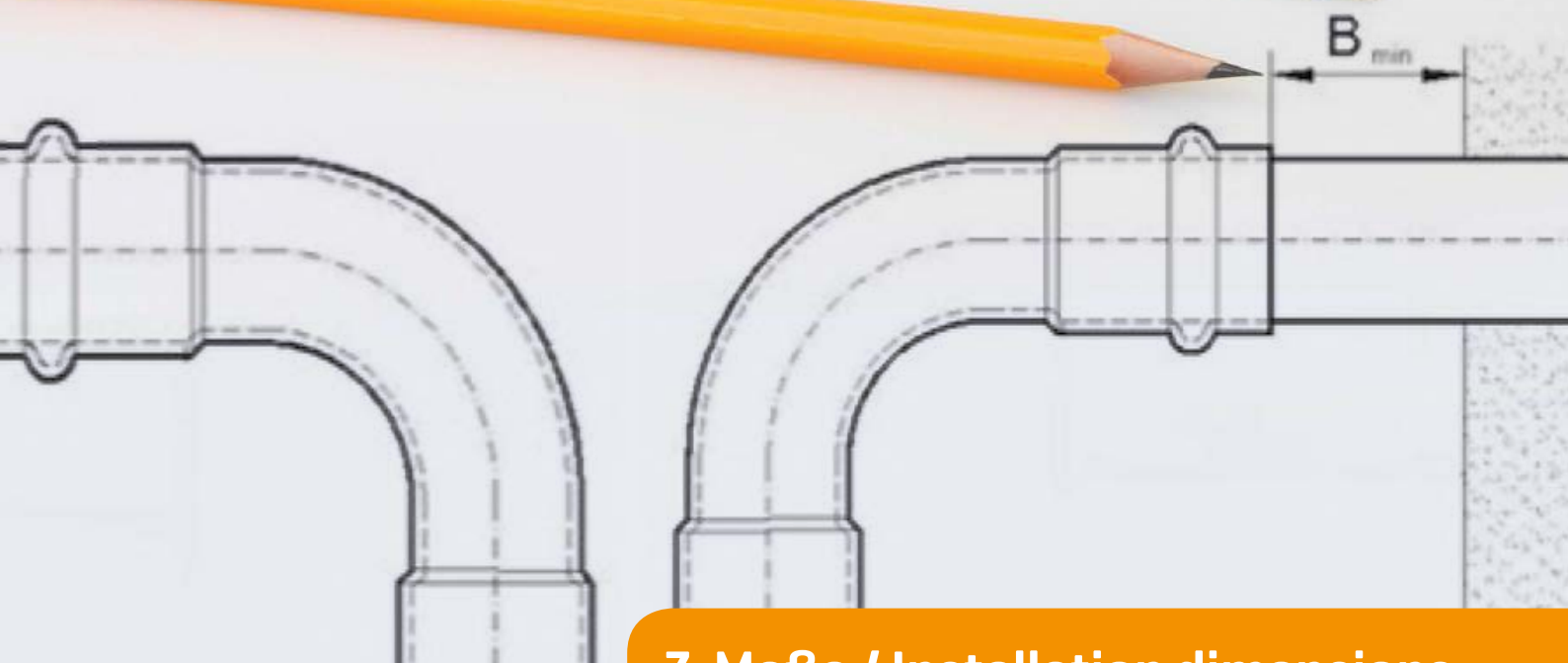


RefHP Hochdruck-Löt fittings /  
High pressure solder fittings  
Z-Maße / Installation dimensions

**SANHA**  
Passt immer.

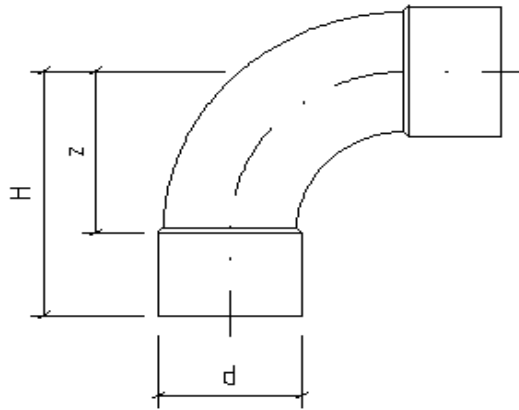


Z-Maße / Installation dimensions

[www.sanha.com](http://www.sanha.com)

**Bogen 90°, beidseitig mit Lötanschluss**

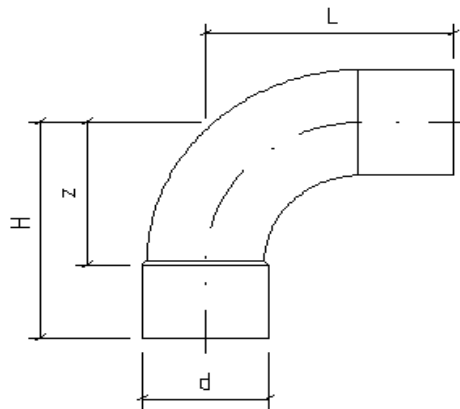
**Bend 90°, female ends**



| SANHA-RefHP | Zoll [Inch] | d [mm] | H [mm] | z [mm] |
|-------------|-------------|--------|--------|--------|
| 129002A38   | 3/8         | 9,52   | 21     | 12     |
| 129002A12   | 1/2         | 12,70  | 25     | 16     |
| 129002A58   | 5/8         | 15,87  | 31     | 19     |
| 129002A34   | 3/4         | 19,05  | 37     | 23     |
| 129002A78   | 7/8         | 22,23  | 43     | 27     |
| 129002A118  | 1 1/8       | 28,57  | 54     | 35     |
| 129002A138  | 1 3/8       | 34,92  | 65     | 42     |
| 12902A158   | 1 5/8       | 41,27  | 73     | 50     |
| 129002A218  | 2 1/8       | 53,97  | 93     | 65     |

**Bogen 90°, mit Lötanschluss und Einsteckende**

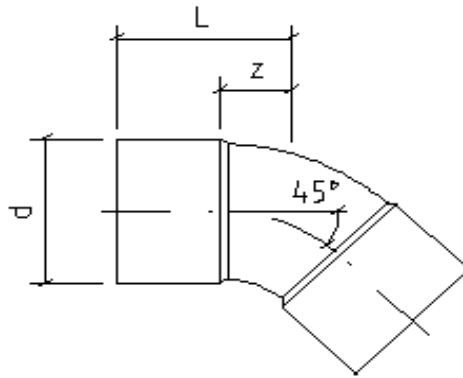
**Bend 90°, female and male plain ends**



| SANHA-RefHP | Zoll [Inch] | d [mm] | H [mm] | L [mm] | z [mm] |
|-------------|-------------|--------|--------|--------|--------|
| 129001A38   | 3/8         | 9,52   | 21     | 23     | 12     |
| 129001A12   | 1/2         | 12,70  | 25     | 27     | 16     |
| 129001A58   | 5/8         | 15,87  | 31     | 33     | 19     |
| 129001A34   | 3/4         | 19,05  | 37     | 39     | 23     |
| 129001A78   | 7/8         | 22,23  | 43     | 45     | 27     |
| 129001A118  | 1 1/8       | 28,57  | 54     | 56     | 35     |
| 129001A138  | 1 3/8       | 34,92  | 65     | 67     | 42     |
| 129001A158  | 1 5/8       | 41,27  | 73     | 75     | 50     |
| 129001A218  | 2 1/8       | 53,97  | 93     | 95     | 65     |

Bogen 45°, beidseitig mit Lötanschluss

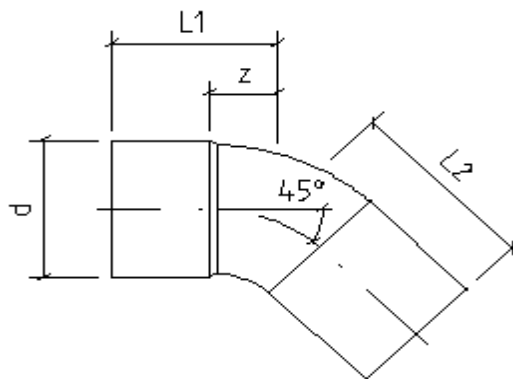
Bend 45°, female ends



| SANHA-RefHP | Zoll [Inch] | d [mm] | L [mm] | z [mm] |
|-------------|-------------|--------|--------|--------|
| 12904138    | 3/8         | 9,52   | 14     | 5      |
| 12904112    | 1/2         | 12,70  | 16     | 7      |
| 12904158    | 5/8         | 19,05  | 20     | 8      |
| 12904134    | 3/4         | 19,05  | 23     | 10     |
| 12904178    | 7/8         | 22,23  | 28     | 12     |
| 129041118   | 1 1/8       | 28,57  | 34     | 15     |
| 129041138   | 1 3/8       | 34,92  | 41     | 18     |
| 129041158   | 1 5/8       | 41,27  | 44     | 21     |
| 129041218   | 2 1/8       | 53,97  | 55     | 27     |

Bogen 45°, mit Lötanschluss und Einsteckende

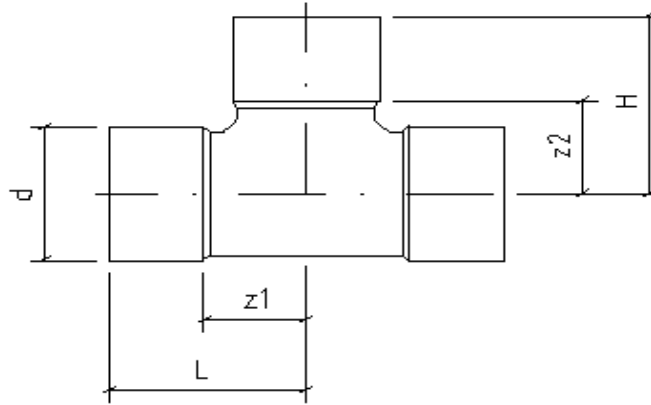
Bend 45°, female and male plain ends



| SANHA-RefHP | Zoll [Inch] | d [mm] | L1 [mm] | L2 [mm] | z [mm] |
|-------------|-------------|--------|---------|---------|--------|
| 12904038    | 3/8         | 9,52   | 14      | 16      | 5      |
| 12904012    | 1/2         | 12,70  | 16      | 18      | 7      |
| 12904058    | 5/8         | 19,05  | 20      | 22      | 8      |
| 12904034    | 3/4         | 19,05  | 23      | 25      | 10     |
| 12904078    | 7/8         | 22,23  | 28      | 30      | 12     |
| 129040118   | 1 1/8       | 28,57  | 34      | 36      | 15     |
| 129040138   | 1 3/8       | 34,92  | 41      | 43      | 18     |
| 129040158   | 1 5/8       | 41,27  | 44      | 46      | 21     |
| 129040218   | 2 1/8       | 53,97  | 55      | 57      | 27     |

T-Stück, allseitig mit Lötanschluss

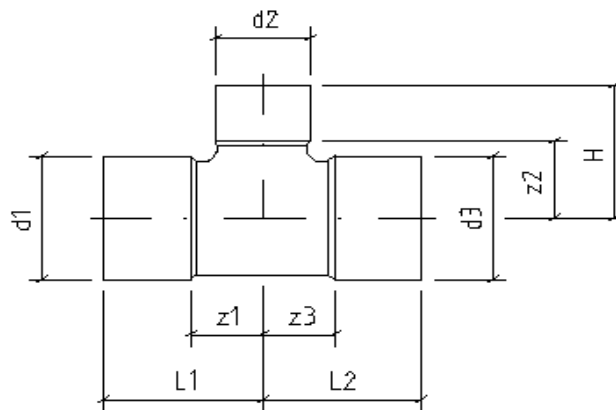
Tee, female ends



| SANHA-RefHP | Zoll [Inch] | d [mm] | H [mm] | L [mm] | z1 [mm] | z2 [mm] |
|-------------|-------------|--------|--------|--------|---------|---------|
| 12913038    | 3/8         | 9,52   | 15     | 15     | 7       | 7       |
| 12913012    | 1/2         | 12,70  | 17     | 17     | 8       | 8       |
| 12913058    | 5/8         | 15,87  | 21     | 21     | 10      | 10      |
| 12913034    | 3/4         | 19,05  | 25     | 25     | 11      | 11      |
| 12913078    | 7/8         | 22,23  | 30     | 30     | 14      | 14      |
| 129130118   | 1 1/8       | 28,57  | 36     | 36     | 17      | 17      |
| 129130138   | 1 3/8       | 34,92  | 44     | 44     | 21      | 21      |
| 129130158   | 1 5/8       | 41,27  | 48     | 48     | 25      | 25      |
| 129130218   | 2 1/8       | 53,97  | 62     | 62     | 34      | 34      |

T-Stück, reduziert, allseitig mit Lötanschluss

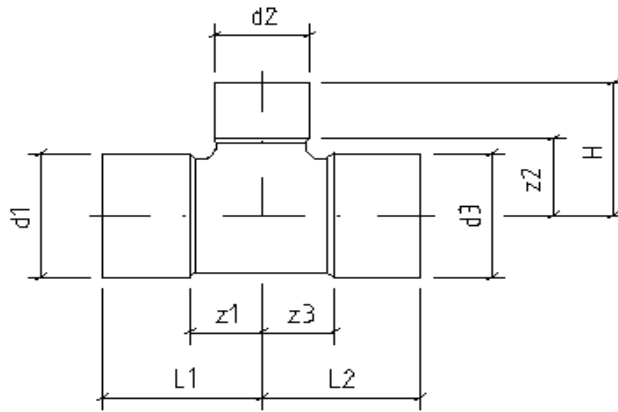
Tee, reduce, female ends



| SANHA-RefHP  | Zoll [Inch]     | d1 [mm] | d2 [mm] | d3 [mm] | H [mm] | L1 [mm] | L2 [mm] | z1 [mm] | z2 [mm] | z3 [mm] |
|--------------|-----------------|---------|---------|---------|--------|---------|---------|---------|---------|---------|
| 129130123838 | 1/2 x 3/8 x 3/8 | 12,70   | 9,52    | 9,52    | 16     | 16      | 20      | 6       | 8       | 11      |
| 129130121238 | 1/2 x 1/2 x 3/8 | 12,70   | 12,70   | 9,52    | 17     | 17      | 21      | 8       | 8       | 13      |
| 129130123812 | 1/2 x 3/8 x 1/2 | 12,70   | 9,52    | 12,70   | 18     | 18      | 18      | 6       | 8       | 6       |
| 129130583858 | 5/8 x 3/8 x 5/8 | 15,87   | 9,52    | 15,87   | 18     | 18      | 18      | 7       | 10      | 7       |
| 129130581212 | 5/8 x 1/2 x 1/2 | 15,87   | 12,70   | 12,70   | 19     | 19      | 22      | 8       | 10      | 8       |
| 129130581258 | 5/8 x 1/2 x 5/8 | 15,87   | 12,70   | 15,87   | 19     | 19      | 19      | 8       | 10      | 8       |
| 129130585838 | 5/8 x 5/8 x 3/8 | 15,87   | 15,87   | 9,52    | 21     | 21      | 25      | 10      | 10      | 17      |
| 129130585812 | 5/8 x 5/8 x 1/2 | 15,87   | 15,87   | 12,70   | 21     | 21      | 24      | 10      | 10      | 14      |
| 129130341434 | 3/4 x 1/4 x 3/4 | 19,05   | 6,35    | 19,05   |        |         |         |         |         |         |
| 129130341234 | 3/4 x 1/2 x 3/4 | 19,05   | 12,70   | 19,05   | 23     | 22      | 22      | 8       | 11      | 8       |
| 129130345834 | 3/4 x 5/8 x 3/4 | 19,05   | 15,87   | 19,05   | 23     | 23      | 23      | 10      | 11      | 10      |
| 129130343412 | 3/4 x 3/4 x 1/2 | 19,05   | 19,05   | 12,70   | 25     | 25      | 28      | 11      | 11      | 19      |

T-Stück, reduziert, allseitig mit  
Lötanschluss

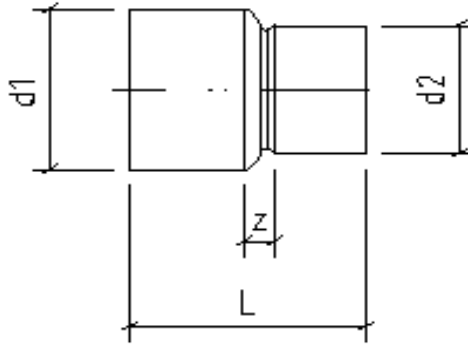
Tee, reduce, female ends



| SANHA-RefHP     | Zoll [Inch]           | d1 [mm] | d2 [mm] | d3 [mm] | H [mm] | L1 [mm] | L2 [mm] | z1 [mm] | z2 [mm] | z3 [mm] |
|-----------------|-----------------------|---------|---------|---------|--------|---------|---------|---------|---------|---------|
| 129130343458    | 3/4 x 3/4 x 5/8       | 19,05   | 19,05   | 15,87   | 25     | 25      | 28      | 11      | 11      | 16      |
| 129130781478    | 7/8 x 1/4 x 7/8       | 22,23   | 6,35    | 22,23   |        |         |         |         |         |         |
| 129130781278    | 7/8 x 1/2 x 7/8       | 22,23   | 12,70   | 22,23   | 27     | 25      | 25      | 9       | 13      | 9       |
| 129130785878    | 7/8 x 5/8 x 7/8       | 22,23   | 15,87   | 22,23   | 27     | 26      | 26      | 10      | 13      | 10      |
| 129130783478    | 7/8 x 3/4 x 7/8       | 22,23   | 19,05   | 22,23   | 28     | 28      | 28      | 12      | 14      | 12      |
| 129130787812    | 7/8 x 7/8 x 1/2       | 22,23   | 22,23   | 12,70   | 30     | 30      | 33      | 14      | 14      | 24      |
| 129130787858    | 7/8 x 7/8 x 5/8       | 22,23   | 22,23   | 15,87   | 30     | 30      | 32      | 14      | 14      | 21      |
| 129130787834    | 7/8 x 7/8 x 3/4       | 22,23   | 22,23   | 19,05   | 30     | 30      | 32      | 14      | 14      | 19      |
| 12913011814118  | 1 1/8 x 1/4 x 1 1/8   | 28,57   | 6,35    | 28,57   |        |         |         |         |         |         |
| 12913011834118  | 1 1/8 x 3/4 x 1 1/8   | 28,57   | 19,05   | 28,57   | 30     | 34      | 34      | 15      | 17      | 15      |
| 1291301187812   | 1 1/8 x 7/8 x 1/2     | 28,57   | 22,23   | 12,70   | 34     | 33      | 38      | 14      | 18      | 29      |
| 12913011878118  | 1 1/8 x 7/8 x 1 1/8   | 28,57   | 22,23   | 28,57   | 34     | 34      | 34      | 15      | 18      | 15      |
| 12913011811834  | 1 1/8 x 1 1/8 x 3/4   | 28,57   | 28,57   | 19,05   | 36     | 36      | 40      | 17      | 17      | 27      |
| 12913011811878  | 1 1/8 x 1 1/8 x 7/8   | 28,57   | 28,57   | 22,23   | 36     | 36      | 41      | 17      | 17      | 25      |
| 12913013814138  | 1 3/8 x 1/4 x 1 3/8   | 34,92   | 6,35    | 34,92   |        |         |         |         |         |         |
| 12913013834138  | 1 3/8 x 3/4 x 1 3/8   | 34,92   | 19,05   | 34,92   | 36     | 38      | 38      | 15      | 23      | 15      |
| 12913013878138  | 1 3/8 x 7/8 x 1 3/8   | 34,92   | 22,23   | 34,92   | 38     | 39      | 38      | 15      | 23      | 15      |
| 129130138118138 | 1 3/8 x 1 1/8 x 1 3/8 | 34,92   | 28,57   | 34,92   | 40     | 40      | 40      | 17      | 21      | 17      |
| 12913013813834  | 1 3/8 x 1 3/8 x 3/4   | 34,92   | 34,92   | 19,05   | 44     | 44      | 49      | 21      | 21      | 36      |
| 12913013813878  | 1 3/8 x 1 3/8 x 7/8   | 34,92   | 34,92   | 22,23   | 44     | 44      | 50      | 21      | 21      | 34      |
| 129130138138118 | 1 3/8 x 1 3/8 x 1 1/8 | 34,92   | 34,92   | 28,57   | 44     | 44      | 48      | 21      | 21      | 28      |
| 12913015814158  | 1 5/8 x 1/4 x 1 5/8   | 41,27   | 6,35    | 41,27   |        |         |         |         |         |         |
| 129130158118158 | 1 5/8 x 1 1/8 x 1 5/8 | 41,27   | 28,57   | 41,27   | 44     | 41      | 41      | 18      | 25      | 18      |
| 129130158138158 | 1 5/8 x 1 3/8 x 1 5/8 | 41,27   | 34,92   | 41,27   | 48     | 45      | 45      | 22      | 26      | 22      |
| 12913015815834  | 1 5/8 x 1 5/8 x 3/4   | 41,27   | 41,27   | 19,05   | 48     | 48      | 57      | 25      | 25      | 44      |
| 12913015815878  | 1 5/8 x 1 5/8 x 7/8   | 41,27   | 41,27   | 22,23   | 48     | 48      | 59      | 25      | 25      | 43      |
| 129130158158118 | 1 5/8 x 1 5/8 x 1 1/8 | 41,27   | 41,27   | 28,57   | 48     | 48      | 57      | 25      | 25      | 38      |
| 129130158158138 | 1 5/8 x 1 5/8 x 1 3/8 | 41,27   | 41,27   | 34,92   | 48     | 48      | 55      | 25      | 25      | 32      |
| 129130218158218 | 2 1/8 x 1 5/8 x 2 1/8 | 53,97   | 41,27   | 53,97   | 55     | 55      | 55      | 27      | 32      | 27      |

Reduziermuffe, beidseitig mit  
Lötanschluss

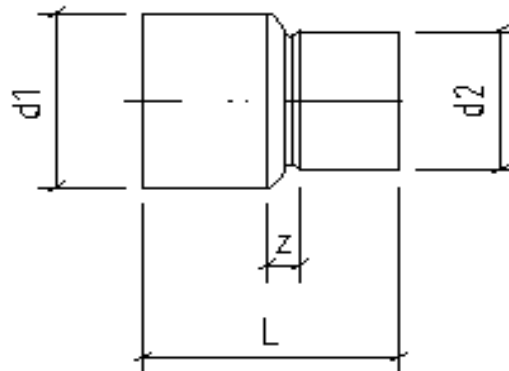
Reducing coupling, female ends



| SANHA-RefHP  | Zoll<br>[Inch] | d1<br>[mm] | d2<br>[mm] | L<br>[mm] | z<br>[mm] |
|--------------|----------------|------------|------------|-----------|-----------|
| 1292401238   | 1/2 x 3/8      | 12,70      | 9,52       | 23        | 5         |
| 1292405812   | 5/8 x 1/2      | 15,87      | 12,70      | 26        | 6         |
| 1292403458   | 3/4 x 5/8      | 19,05      | 15,87      | 31        | 6         |
| 1292407834   | 7/8 x 3/4      | 22,23      | 19,05      | 36        | 7         |
| 12924011812  | 1 1/8 x 1/2    | 28,57      | 12,70      | 46        | 18        |
| 12924011878  | 1 1/8 x 7/8    | 28,57      | 22,23      | 45        | 9         |
| 12924013812  | 1 3/8 x 1/2    | 34,92      | 12,70      | 56        | 24        |
| 12924013858  | 1 3/8 x 5/8    | 34,92      | 15,87      | 55        | 21        |
| 12924013834  | 1 3/8 x 3/4    | 34,92      | 19,05      | 55        | 18        |
| 12924013878  | 1 3/8 x 7/8    | 34,92      | 22,23      | 55        | 16        |
| 129240138118 | 1 3/8 x 1 1/8  | 34,92      | 28,57      | 52        | 10        |
| 12924015834  | 1 5/8 x 3/4    | 41,27      | 19,05      | 64        | 24        |
| 12924015878  | 1 5/8 x 7/8    | 41,27      | 22,23      | 61        | 22        |
| 129240158118 | 1 5/8 x 1 1/8  | 41,27      | 28,57      | 63        | 16        |
| 129240158138 | 1 5/8 x 1 3/8  | 41,27      | 34,92      | 57        | 11        |

Absatznippel, mit Lötanschluss und  
Einsteckende

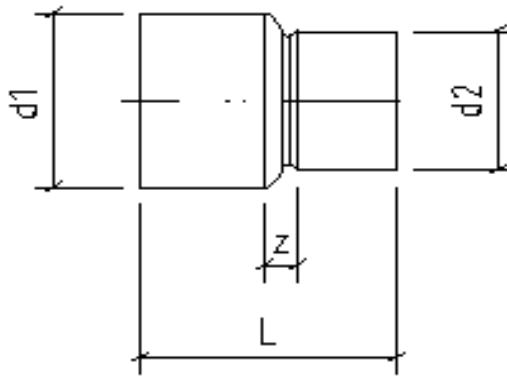
Reducer, female and male plain ends



| SANHA-RefHP | Zoll<br>[Inch] | d1<br>[mm] | d2<br>[mm] | L<br>[mm] | z<br>[mm] |
|-------------|----------------|------------|------------|-----------|-----------|
| 1292431238  | 1/2 x 3/8      | 12,70      | 9,52       | 24        | 15        |
| 1292435838  | 5/8 x 3/8      | 15,87      | 9,52       | 28        | 20        |
| 1292435812  | 5/8 x 1/2      | 15,87      | 12,70      | 26        | 17        |
| 1292433438  | 3/4 x 3/8      | 19,05      | 9,52       | 33        | 25        |
| 1292433412  | 3/4 x 1/2      | 19,05      | 12,70      | 31        | 22        |
| 1292433458  | 3/4 x 5/8      | 19,05      | 15,87      | 30        | 19        |
| 1292437838  | 7/8 x 3/8      | 22,23      | 9,52       | 39        | 30        |
| 1292437812  | 7/8 x 1/2      | 22,23      | 12,70      | 37        | 27        |

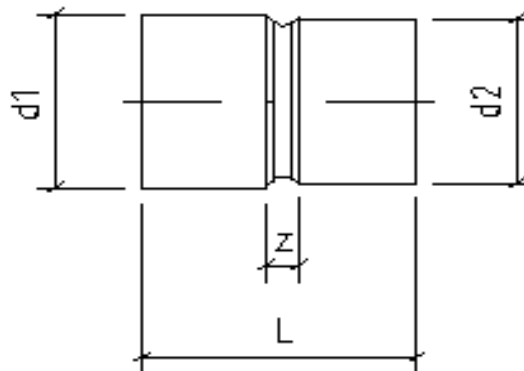
**Absatznippel, mit Lötanschluss und Einsteckende**

Reducer, female and male plain ends



| SANHA-RefHP  | Zoll [Inch]   | d1 [mm] | d2 [mm] | L [mm] | z [mm] |
|--------------|---------------|---------|---------|--------|--------|
| 1292437858   | 7/8 x 5/8     | 22,23   | 15,87   | 36     | 25     |
| 1292437834   | 7/8 x 3/4     | 22,23   | 19,05   | 35     | 21     |
| 12924311812  | 1 1/8 x 1/2   | 28,57   | 12,70   | 45     | 35     |
| 12924311858  | 1 1/8 x 5/8   | 28,57   | 15,87   | 44     | 33     |
| 12924311834  | 1 1/8 x 3/4   | 28,57   | 19,05   | 43     | 30     |
| 12924311878  | 1 1/8 x 7/8   | 28,57   | 22,23   | 44     | 28     |
| 129243138118 | 1 3/8 x 1 1/8 | 34,92   | 28,57   | 50     | 31     |
| 12924315878  | 1 5/8 x 7/8   | 41,27   | 22,23   | 58     | 42     |
| 129243158138 | 1 5/8 x 1 3/8 | 41,27   | 34,92   | 54     | 31     |
| 129243218118 | 2 1/8 x 1 1/8 | 53,97   | 28,57   | 72     | 53     |
| 129243218158 | 2 1/8 x 1 5/8 | 53,97   | 41,27   | 65     | 42     |

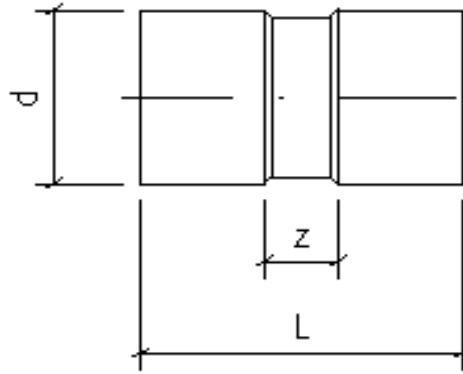
**Übergang inch auf metrisch, mit Lötanschluss und Einsteckende**



| SANHA-RefHP   | Zoll [Inch]   | d1 [mm] | d2 [mm] | L [mm] | z [mm] |
|---------------|---------------|---------|---------|--------|--------|
| 129243IM1212  | 1/2 x 12 mm   | 12,70   | 12      | 23     | 13     |
| 129243IM5815  | 5/8 x 15 mm   | 15,87   | 15      | 27     | 16     |
| 129243IM3418  | 3/4 x 18 mm   | 19,05   | 18      | 31     | 18     |
| 129243IM7822  | 7/8 x 22 mm   | 22,23   | 22      | 38     | 22     |
| 129243IM11828 | 1 1/8 x 28 mm | 28,57   | 28      | 45     | 26     |
| 129243IM13835 | 1 3/8 x 35 mm | 34,92   | 35      | 56     | 31     |
| 129243IM15842 | 1 5/8 x 42 mm | 41,27   | 42      | 65     | 33     |

Muffe, beidseitig mit Lötanschluss

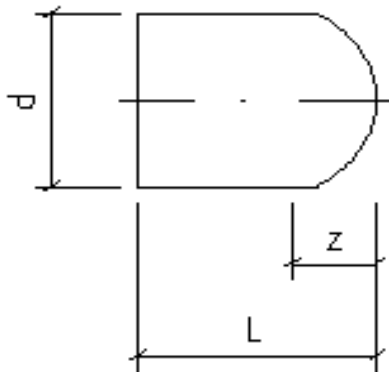
Coupling, female ends



| SANHA-RefHP | Zoll [Inch] | d [mm] | L [mm] | z [mm] |
|-------------|-------------|--------|--------|--------|
| 12927038    | 3/8         | 9,52   | 24     | 7      |
| 12927012    | 1/2         | 12,70  | 27     | 8      |
| 12927058    | 5/8         | 15,87  | 32     | 9      |
| 12927034    | 3/4         | 19,05  | 37     | 11     |
| 12927078    | 7/8         | 22,23  | 44     | 12     |
| 129270118   | 1 1/8       | 28,57  | 52     | 14     |
| 129270138   | 1 3/8       | 34,92  | 63     | 17     |
| 129270158   | 1 5/8       | 41,27  | 65     | 19     |
| 129270218   | 2 1/8       | 53,97  | 83     | 27     |

Kappe, mit Lötanschluss

Cap, female end



| SANHA-RefHP | Zoll [Inch] | d [mm] | L [mm] | z [mm] |
|-------------|-------------|--------|--------|--------|
| 12930138    | 3/8         | 9,52   | 9      | 0      |
| 12930112    | 1/2         | 12,70  | 9      | 0      |
| 12930158    | 5/8         | 15,87  | 11     | 0      |
| 12930134    | 3/4         | 19,05  | 13     | 0      |
| 12930178    | 7/8         | 22,23  | 16     | 0      |
| 129301118   | 1 1/8       | 28,57  | 19     | 0      |
| 129301138   | 1 3/8       | 34,92  | 23     | 0      |
| 129301158   | 1 5/8       | 41,27  | 23     | 0      |
| 129301218   | 2 1/8       | 53,97  | 28     | 0      |